

205 IG series

mmx205mmx72mm



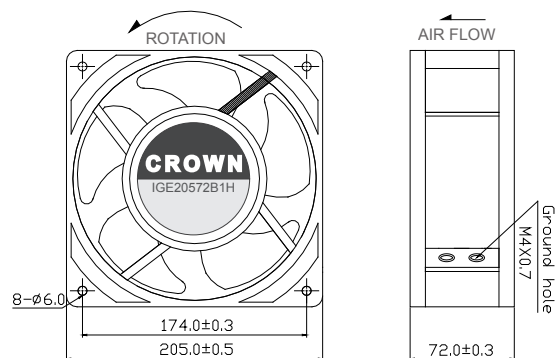
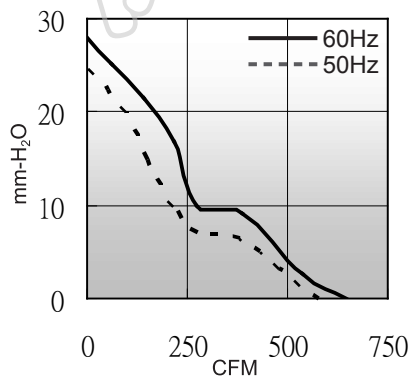
General Specifications

- Motor : Singal phase induction capacitor motor
- Frame & Impller : Al Die-casting & PBT plsatic
- Storage temperature : -40°C to +75°C
- Operating temperature : -10°C to +60°C

Major Characteristic Parameters

| Model | Bearing System | Rated Voltage | Freq. | Power Input | Rated Speed | Maximum Air Flow | | Maximum Static Pressure | | Sound Level | Weight |
|-------------|----------------|---------------|-------|-------------|-------------|---------------------|---------|-------------------------|---------------------|-------------|--------|
| Part NO. | B / S | V | Hz | W | RPM | m ³ /min | CFM | mm-H ₂ O | In-H ₂ O | dBA | Kg |
| IGE20572_1H | B / S | 80-125 | 50/60 | 65/102 | 2500/3000 | 16.4/18.3 | 580/735 | 25/28 | 0.98/1.10 | 60 | 2.1 |
| IGE20572_2H | B / S | 150-240 | 50/60 | 65/102 | 2500/3000 | 16.4/18.3 | 580/735 | 25/28 | 0.98/1.10 | 60 | 2.1 |

*Bearing system B: Two Ball Bearing F: Fluid Bearing S: Sleeve Bearing



unit:mm